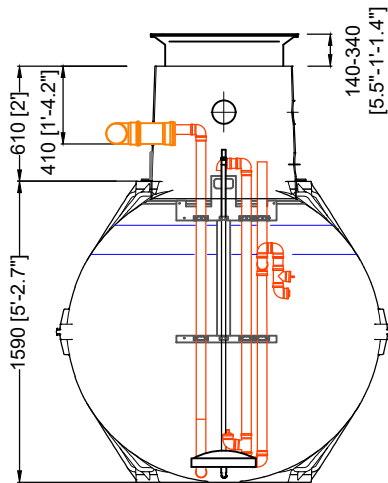


Schlamm-speicher/ Puffer
sludge storage/ buffer

SBR-Reaktor
SBR reactor



Querschnitt Belebungs-section
section SBR reactor



<p>D</p> <p>Klaro Easy 8-10 EW - Tankdom Maxi 2 x Carat 3750 L / 2 x 991 gal.</p>			<p>Artikel-Nr. product no. 370422, 370427 article no. 370435 article no.</p>
<p>GB Klaro Easy 8-10 inh. TD-Maxi 2 x Carat 3750 L / 2 x 991 gal.</p>	<p>ES Klaro Easy 8-10 PE Cúpula Maxi 2 x Carat 3750 L / 2 x 991 gal.</p>	<p>FR Klaro Easy 8-10 EH Maxi-dôme 2 x Carat 3750 L / 2 x 991 gal.</p>	<p>revision</p>
<p>gezeichnet drawn ISC</p>	<p>Gewicht weight 2 x 175 kg</p>	<p>Otto Graf GmbH Carl-Zeiss-Str. 2-6 DE-79331 Teningen mail@graf.info www.graf.info</p>	
<p>Datum date 2021.07.06</p>	<p>Toleranz tolerance +/- 3%</p>		
<p>Maßstab scale M 1:40 / 1:30</p>	<p>Einheiten units mm [inch] gal. = US gal.</p>		