



PERFORMANCE RESULTS

Otto Graf GmbH

Carl-Zeiss-Str. 2-6, 79331 Teningen, Germany

EN 12566-1

Part 1: Prefabricated septic tanks

Results corresponding to EN 12566-1 and S.R. 66

Test report PIA-SR66-1610-1121.02

Carat S Septic Tank

Material	Polypropylene
Structural behaviour (Pit Test)	Pass (for wet ground conditions also)
Watertightness	Pass
Nominal capacity	2 m ³ , 3 m ³ , 4 m ³ , 6 m ³
Hydraulic efficiency	99.79 % (without filter)
Durability	Pass

Tested by:

PIA – Prüfinstitut für Abwassertechnik GmbH

(PIA GmbH)

Hergenrather Weg 30

52074 Aachen, Germany

This document replaces neither the declaration of performance nor the CE marking.



Notified Body
No.: 1739



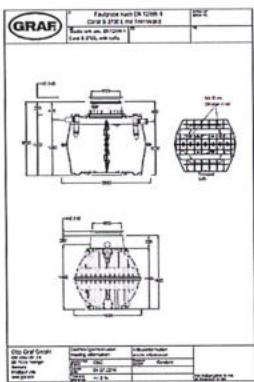
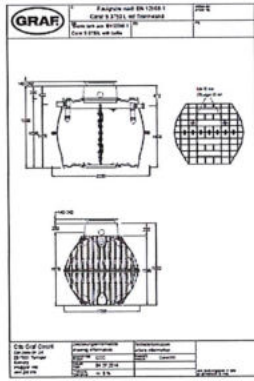
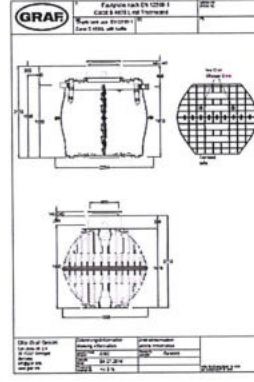
Certified according to
ISO 9001:2015

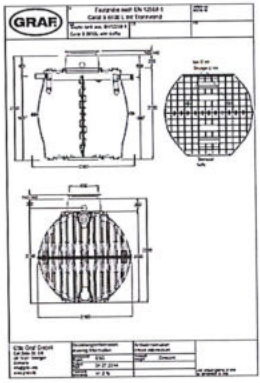
PIA - Sustainable Certification
D. Schmitz
geprüft - tested - teste

D. Schmitz

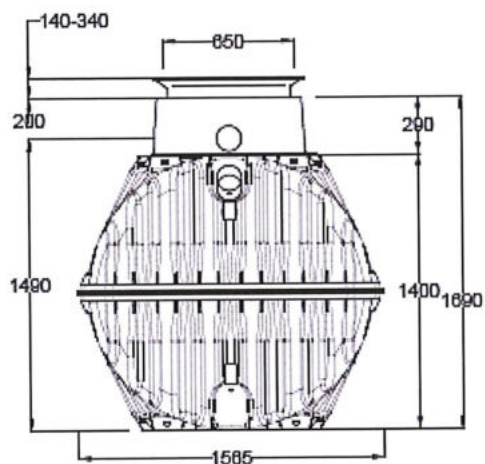
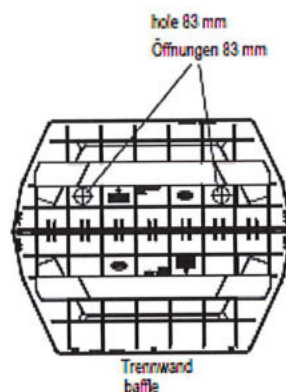
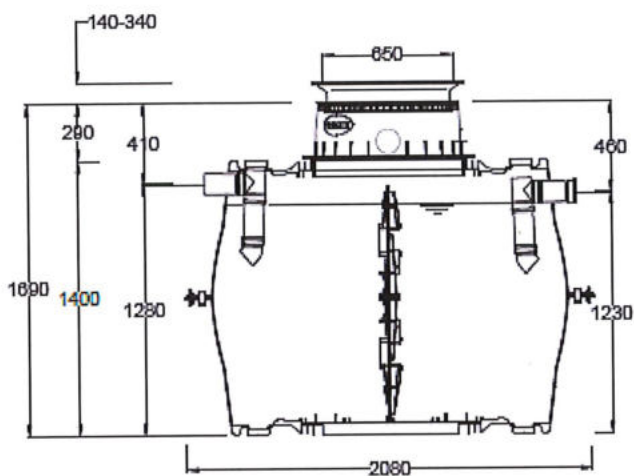
February 2022

Carat S Septic Tank range and its referring test reports:

Nominal capacity Usable Capacity Population equivalent (PE)	Drawing of model of the range	Watertightness and Nominal Capacity (EN 12566-1 Annex A)	Hydraulic Efficiency (EN 12566-1 Annex B)	Structural Behaviour (EN 12566-1 Annex D)	Durability
2 2,353 l 2		Pass PIA2014-WD/NC-1404-1020.02 PIA2021-WD-2101-1002.03	Pass PIA2014-HWG-1404-1020.02	Pass For wet ground conditions also, 1.75 m installation depth from inlet invert	Pass PIA2016-DH-1509-1050.02
3 3,377 l 9		Pass PIA2014-WD/NC-1404-1020.02 PIA2021-WD-2101-1002.03	Pass Range conformity according to S.R. 66:2015	Pass For wet ground conditions also, 1.75 m installation depth from inlet invert	Pass PIA2016-DH-1509-1050.02
4 4,334 l 15		Pass PIA2014-WD/NC-1404-1020.02 PIA2021-WD-2101-1002.03	Pass Range conformity according to S.R. 66:2015	Pass For wet ground conditions also, 1.75 m installation depth from inlet invert	Pass PIA2016-DH-1509-1050.02

Nominal capacity Usable Capacity Population equivalent (PE)	Drawing of model of the range	Watertightness and Nominal Capacity (EN 12566-1 Annex A)	Hydraulic Efficiency (EN 12566-1 Annex B)	Structural Behaviour (EN 12566-1 Annex D)	Durability
6 6,083 l 27		Pass PIA2014-WD/NC-1404-1020.02 PIA2016-WD-1509-1050.02	Pass Range conformity according to S.R. 66:2015	Pass PIA2016-ST-PIT-1509-1050.02 For wet ground conditions also, 1.75 m installation depth from inlet invert	Pass PIA2016-DH-1509-1050.02

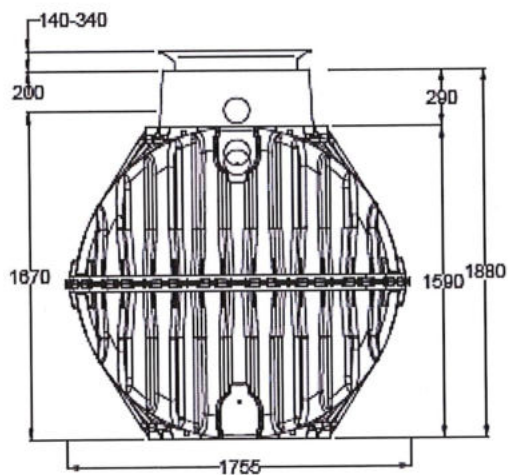
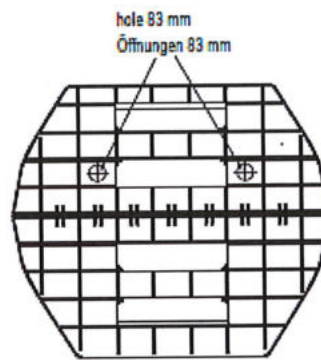
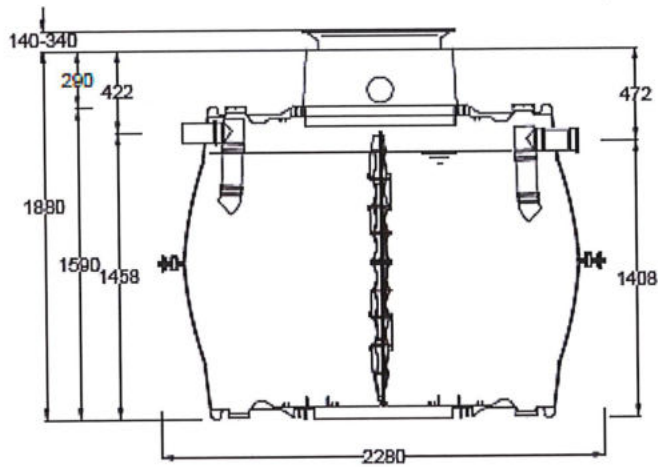
	D	Faulgrube nach EN 12566-1 Carat S 2700 L mit Trennwand	Artikel-Nr. article no.
	GB	Septic tank acc. EN12566-1 Carat S 2700L with baffle	FR



Otto Graf GmbH Carl-Zeiss-Str. 2-6 DE-79331 Tenningen Germany Info@graf.info www.graf.info	Zeichnungsinformation drawing information		Artikelinformation article information		Alle Maßangaben in mm all dimension in mm
	gezeichnet drawn	CSC	Gewicht weight	Gewicht	
	Datum date	04.07.2014			
	Toleranz tolerance	+/- 3 %			



D	Faulgrube nach EN 12566-1 Carat S 3750 L mit Trennwand	Artikel-Nr. article no.
GB	Septic tank acc. EN12566-1 Carat S 3750L with baffle	ES
		FR



Otto Graf GmbH
Carl-Zeiss-Str. 2-6
DE-79331 Tettingen
Germany
Info@graf.info
www.graf.info

Zeichnungsinformation
drawing information

gezeichnet
drawn CSC
Datum
date 04.07.2014
Toleranz
tolerance +/- 3 %

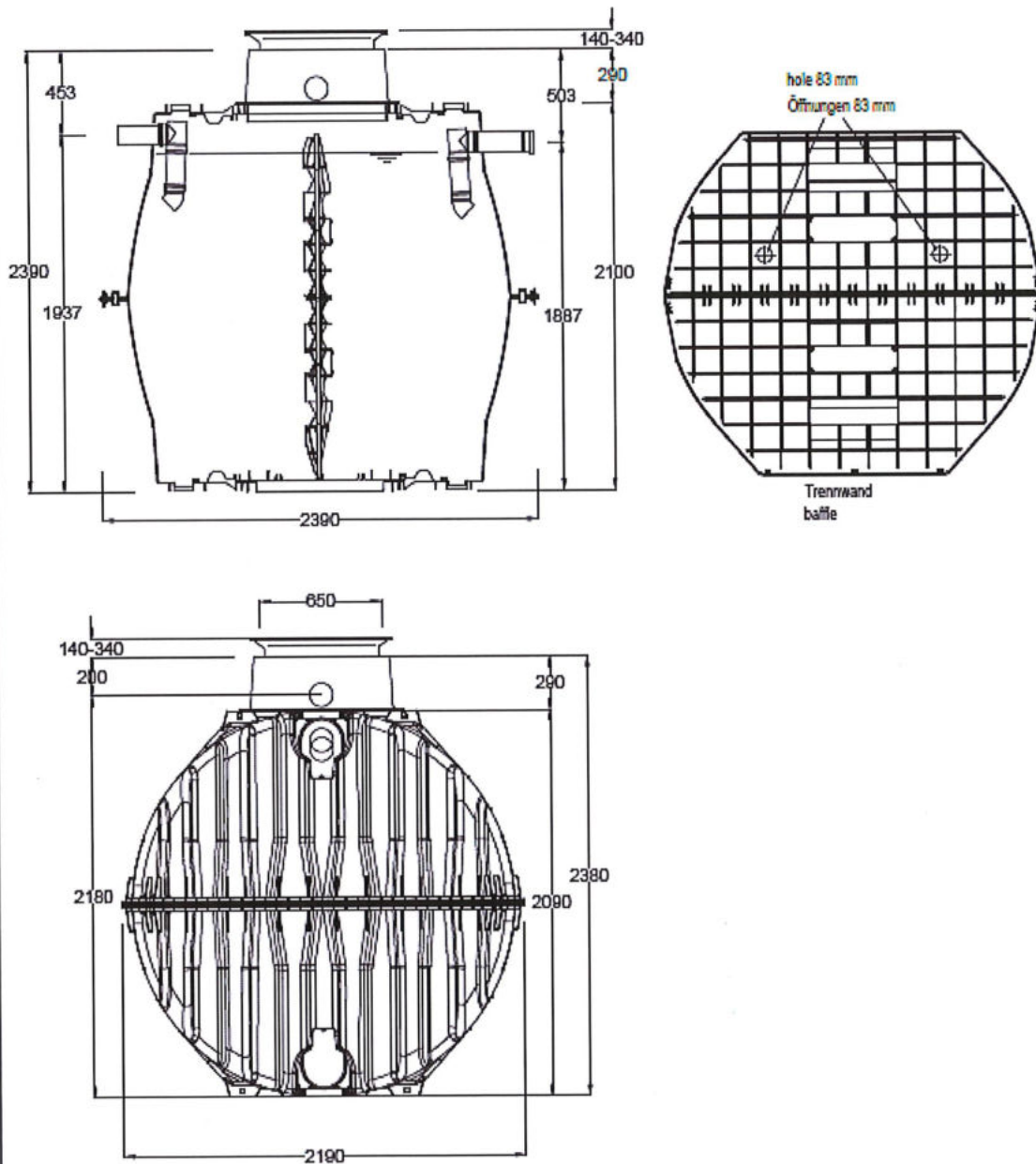
Artikelinformation
article information

Gewicht
weight Gewicht

Alle Maßangaben in mm
all dimensions in mm

	D Faulgrube nach EN 12566-1 Carat S 4800 L mit Trennwand	Artikel-Nr. article no.			
	GB Septic tank acc. EN12566-1 Carat S 4800L with baffle	ES	FR		
Otto Graf GmbH Carl-Zeiss-Str. 2-6 DE-79331 Tettingen Germany info@graf.info www.graf.info	Zeichnungsinformation drawing information	Artikelinformation article information	Alle Maßangaben in mm all dimensions in mm		
	gezeichnet drawn	CSC		Gewicht weight	Gewicht
	Datum date	04.07.2014			
	Toleranz tolerance	+/- 3 %			

	D	Faulgrube nach EN 12566-1 Carat S 6500 L mit Trennwand	Artikel-Nr. article no.
	GB	Septic tank acc. EN12566-1 Carat S 6500L with baffle	ES
			FR



Otto Graf GmbH Carl-Zeiss-Str. 2-6 DE-79331 Tenningen Germany Info@graf.info www.graf.info	Zeichnungsinformation drawing information		Artikelinformation article information	
	gezeichnet drawn	CSC	Gewicht weight	Gewicht
	Datum date	04.07.2014		
	Toleranz tolerance	+/- 3 %	Alle Maßangaben in mm all dimension in mm	